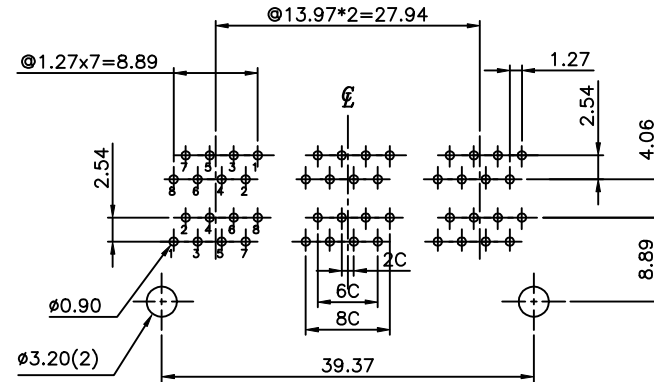
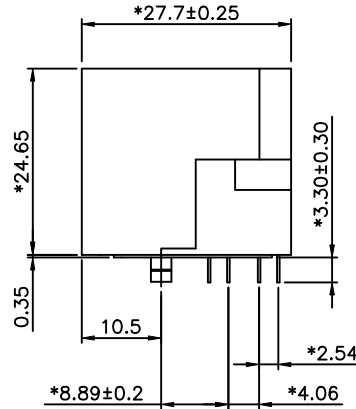
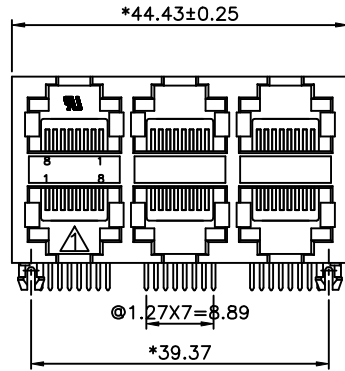
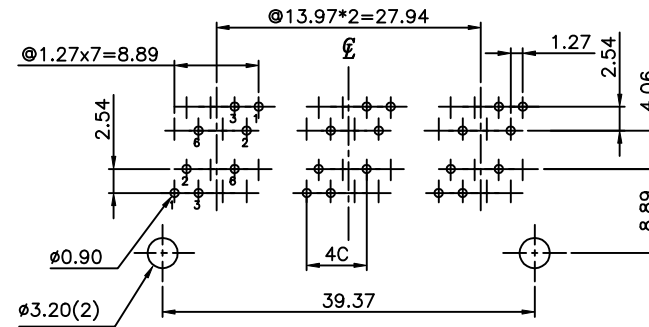
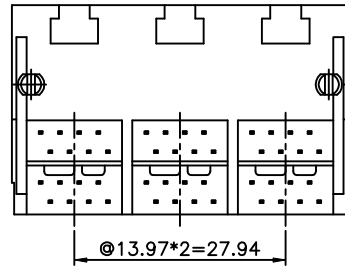


REVISION RECORD				
REV	ECO	DESCRIPTION	DRFT	CHKD
△		DEL LOGO	JAMY 1/18/05	



PC Board Thickness=1.60mm
PC Board Layout Component Side Shown



PC Board Thickness=1.60mm
PC Board Layout Component Side Shown

NOTES:

ELECTRICAL:

- VOLTAGE RATING : 125 VAC RMS.
- CURRENT RATING : 1.5 AMP.
- CONTACT RESISTANCE : 50 MILLIOHMS MAX.
- INSULATION RESISTANCE: 1000 MEGOHMS MIN @ 500 VDC.
- DIELECTRIC STRENGTH : 1000 VAC RMS 60Hz, 1MIN.

MECHANICAL:

- HOUSING MATERIAL : NYLON+30%.G.F UL94V-0.
- CONTACT MATERIAL : PHOSPHOR BRONZE ϕ 0.46mm.
- PLATING : GOLD PLATING OVER NICKEL.
- OPERATING LIFE : 750 CYCLES MIN.
- PCB RETENTION PRE-SOLDER : 1 LB MIN.
- PCB RETENTION POST-SOLDER: 10 LBS MIN.

ENVIRONMENTAL:

- STORAGE : -40°C TO +85°C.
- OPERATION: 0°C TO 70°C.
- WAVE SOLDERING TEMPERATURE: 255°C~265°C(5~10 SECONDS).

MATES WITH MODULAR PLUG CONFORMING TO

FCC PART 68, SUBPART F.

UL & CUL FILE NO. E163191

ROHS PART NUMBER: E590X-01BYFX-L

CONTACT: 1-3u" 2-6u" 3-15u"
4-30u" 5-50u"

2-2C
4-4C(1,2,3,6PIN)
6-6C
8-8C

DETACHED LISTS	MM (INCH)	DFTO JAMY	DATE 9/21/05	FULL RISE ELECTRONIC CO., LTD	
	TOLERANCES EXCEPT AS NOTED	CHKD/ASSEMBLY	DATE 2005/11/19		
		MFO	DATE		
		APPVL/DATE	DATE 2005/11/19		
	MM	ANGLES ±	QTY :	TITLE RJ45(NO SHIELD) STACKED GANGED JACK,2X3	
	.0 ±0.20		FINISH :	DRAWING NO. GE593233-LA	SIZE A3
	.00 ±0.15		SCALE : 1.5:1	/PART NO. SEE NOTE	REV 1
	.000 ±0.075			DO NOT SCALE DRAWING	SHEET X OF Y
	THIRD ANGLE PROJECTION				